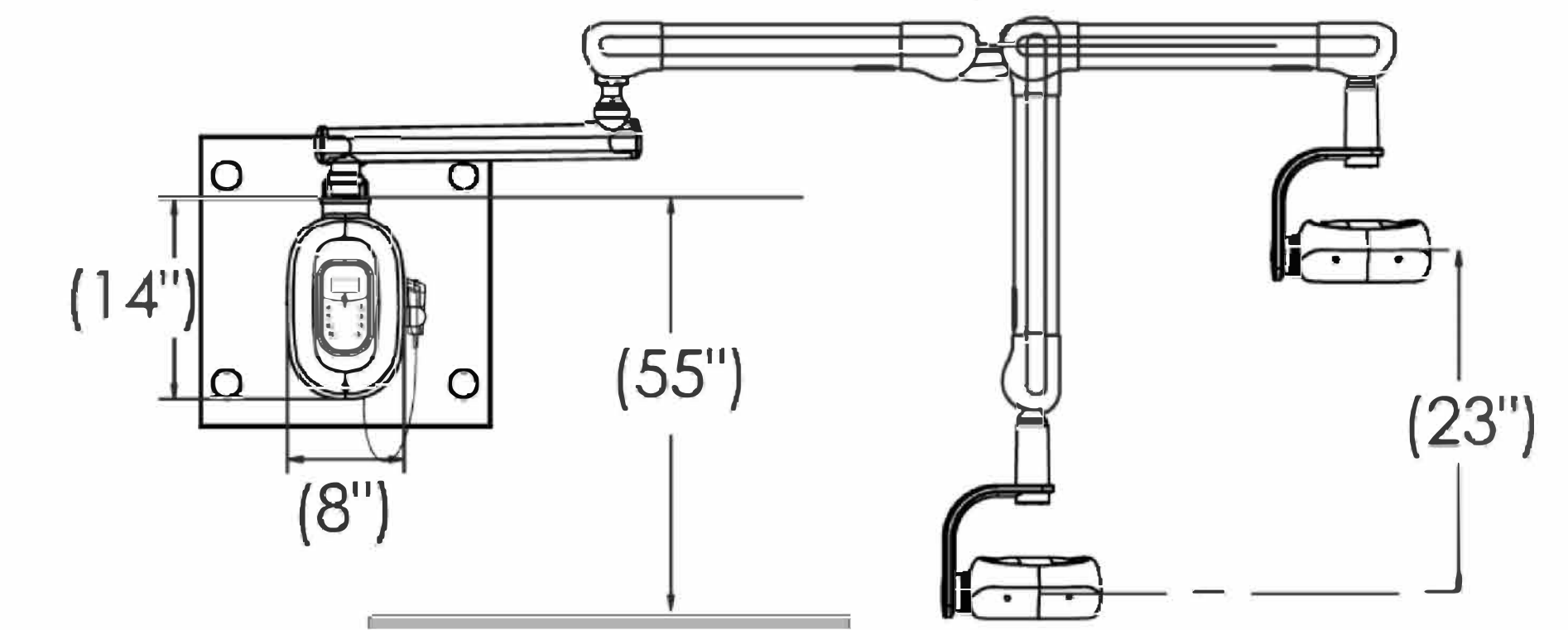
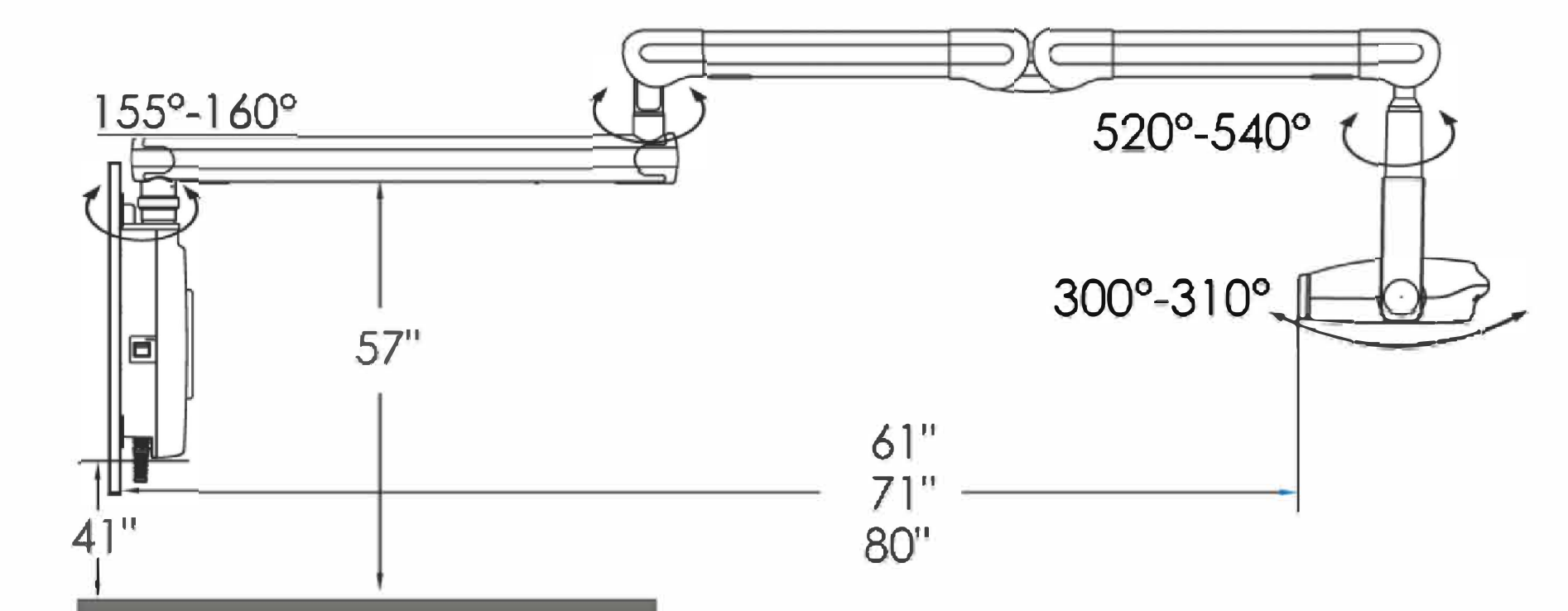
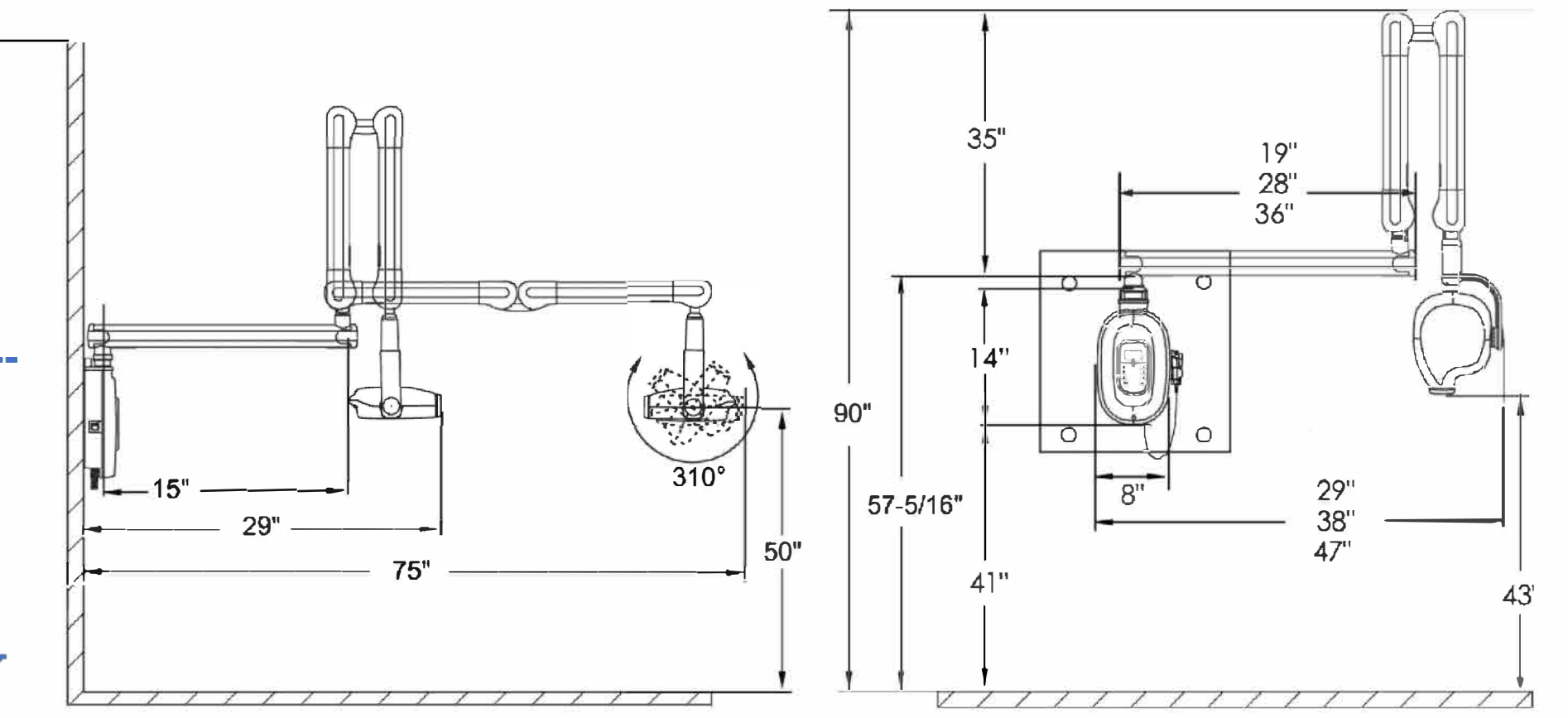
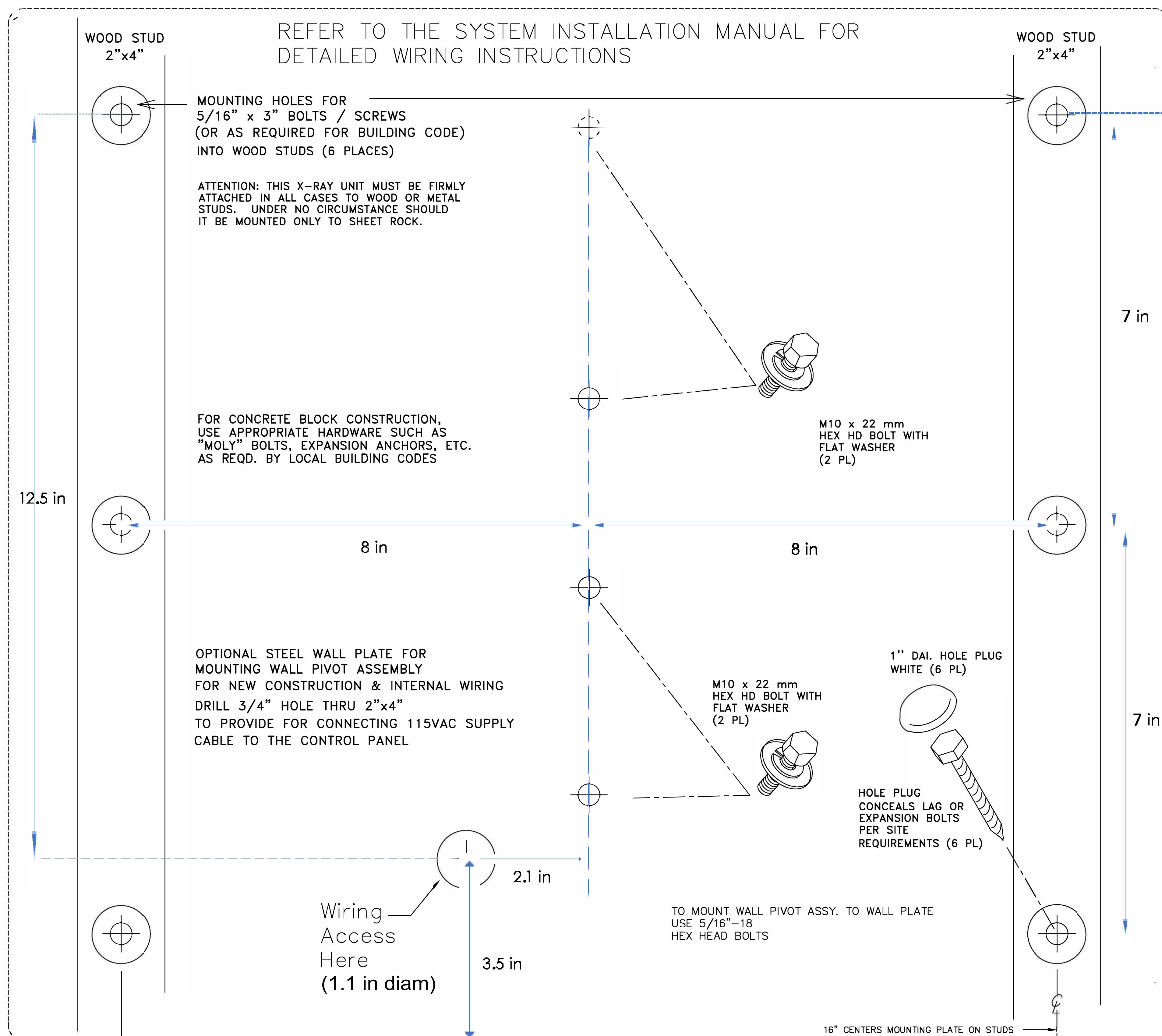


# MOUNTING INSTRUCTIONS FOR IMAGESCAN HD UNIVERSAL TYPE 2 STUD WALLPLATE



## ELECTRICAL CHARACTERISTICS

DESCRIPTION	INTRASKAN DC
LINE VOLTAGE	110V +/-10%
LINE FREQUENCY	60Hz
ABSORBED CURRENT	8 A rms @ 110V
ABSORBED POWER	0.88 kVA @110V
LINE RESISTANCE	<=0.4 Ohms
MAX LINE VOLTAGE REGULATION	1% @ 99v
CONNECT TO POWER SOURCE	Hardwire directly: line, neutral, ground Cord connection: hospital grade 3 prong North American

\*Always follow State and local electrical regulations and guidelines

40" TO 45"  
FROM BOTTOM EDGE OF WALL MOUNT PLATE TO THE FLOOR

16" CENTERS MOUNTING PLATE ON STUDS

OPTIONAL WALL MOUNTING PLATE TO MOUNT X-RAY WALL BRACKET ORDER P/N 9992720002

SINGLE STUD MOUNT OPTION MAY ONLY BE USED IF WALL CONSTRUCTION WITH 4x4 STUD OR EQUIV. AVAILABLE

40" - 45" to floor

**Imageworks cannot take responsibility for absolute precision of drawings. Please consult with Imageworks or any concern**

## UNIVERSAL TYPE WALL MOUNT TEMPLATE

IMAGEWORKS  
8 WESTCHESTER PLAZA SUITE 112  
ELMSFORD, NEW YORK 10523  
1-914-592-6100  
www.ImageWorksCorporation.com