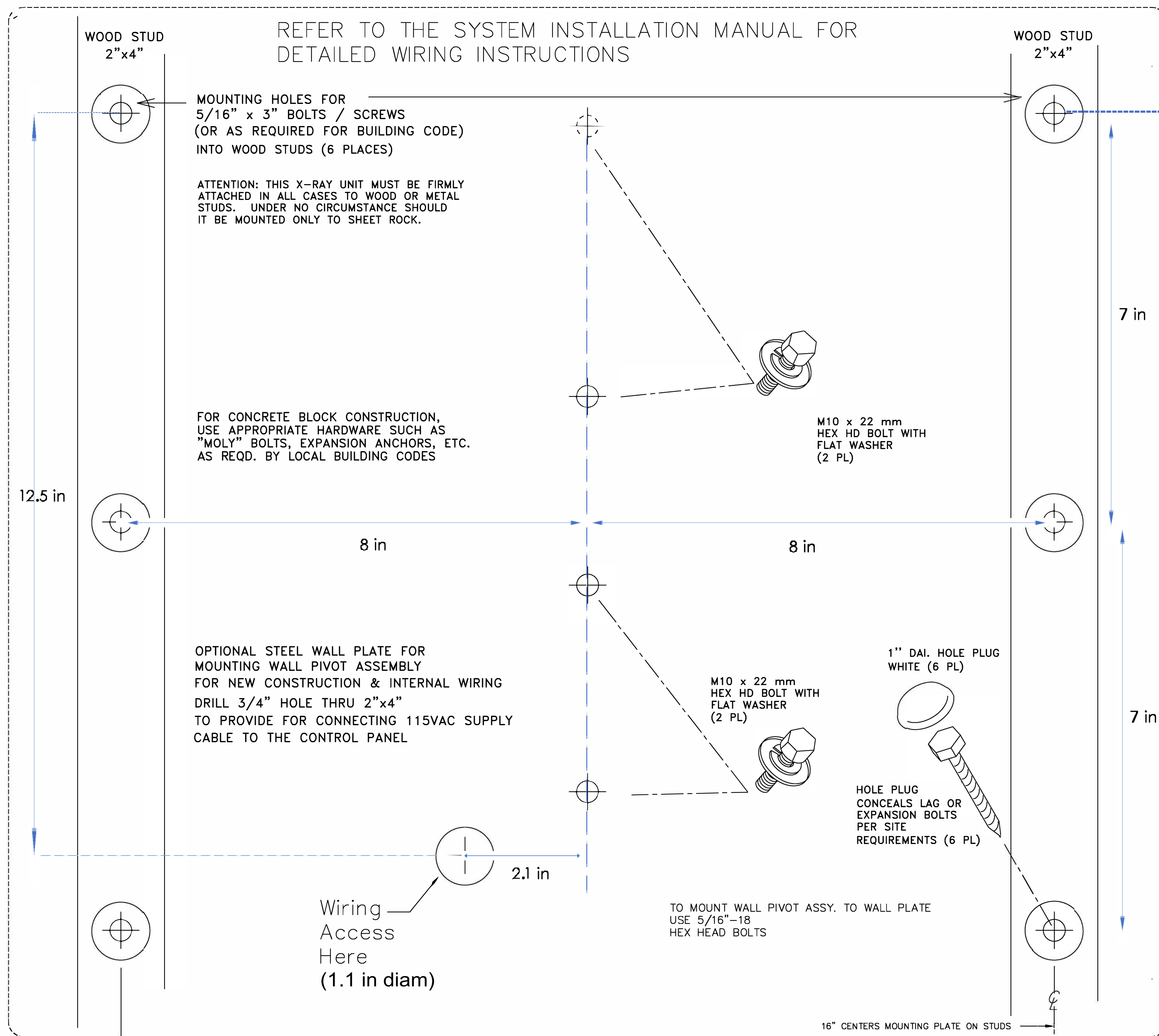
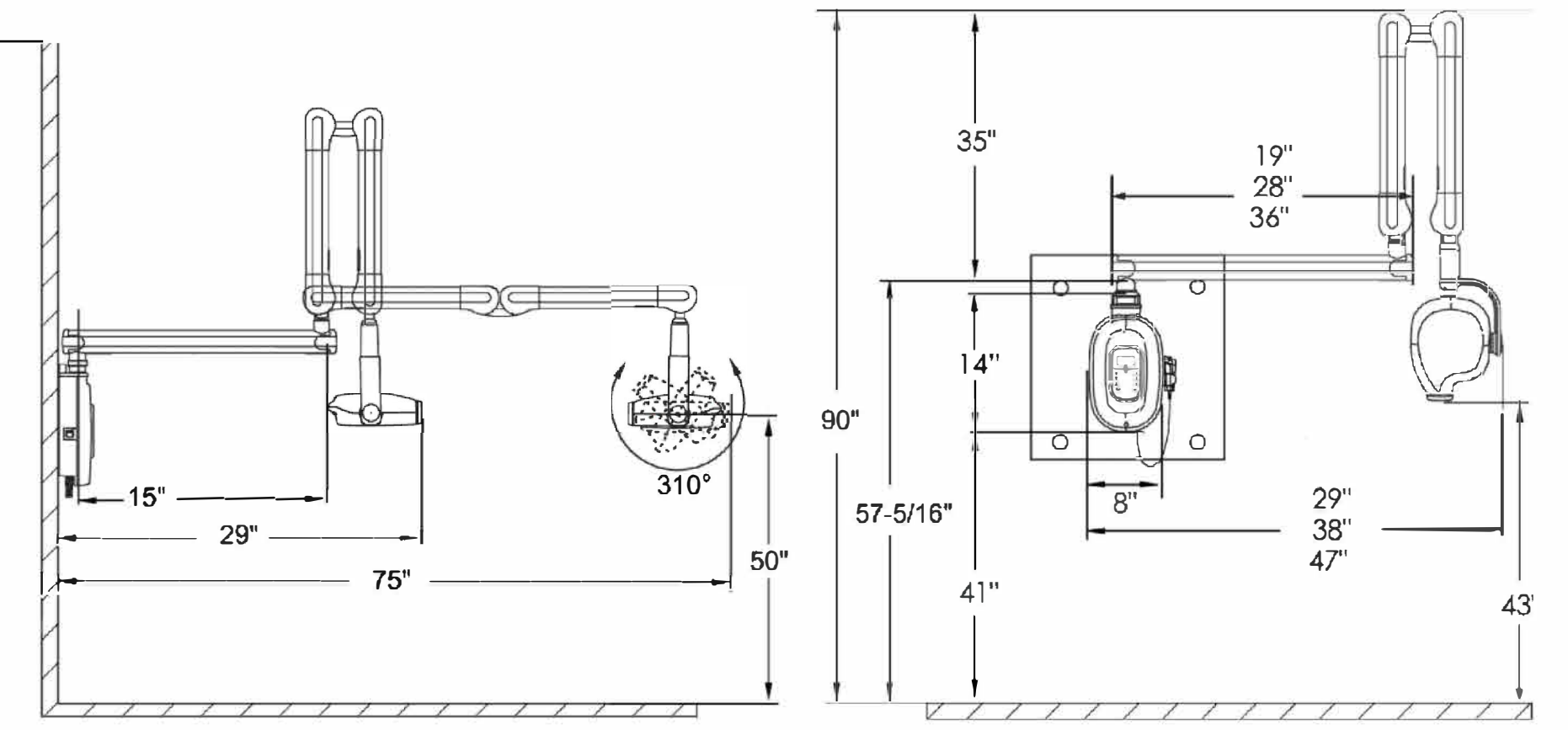
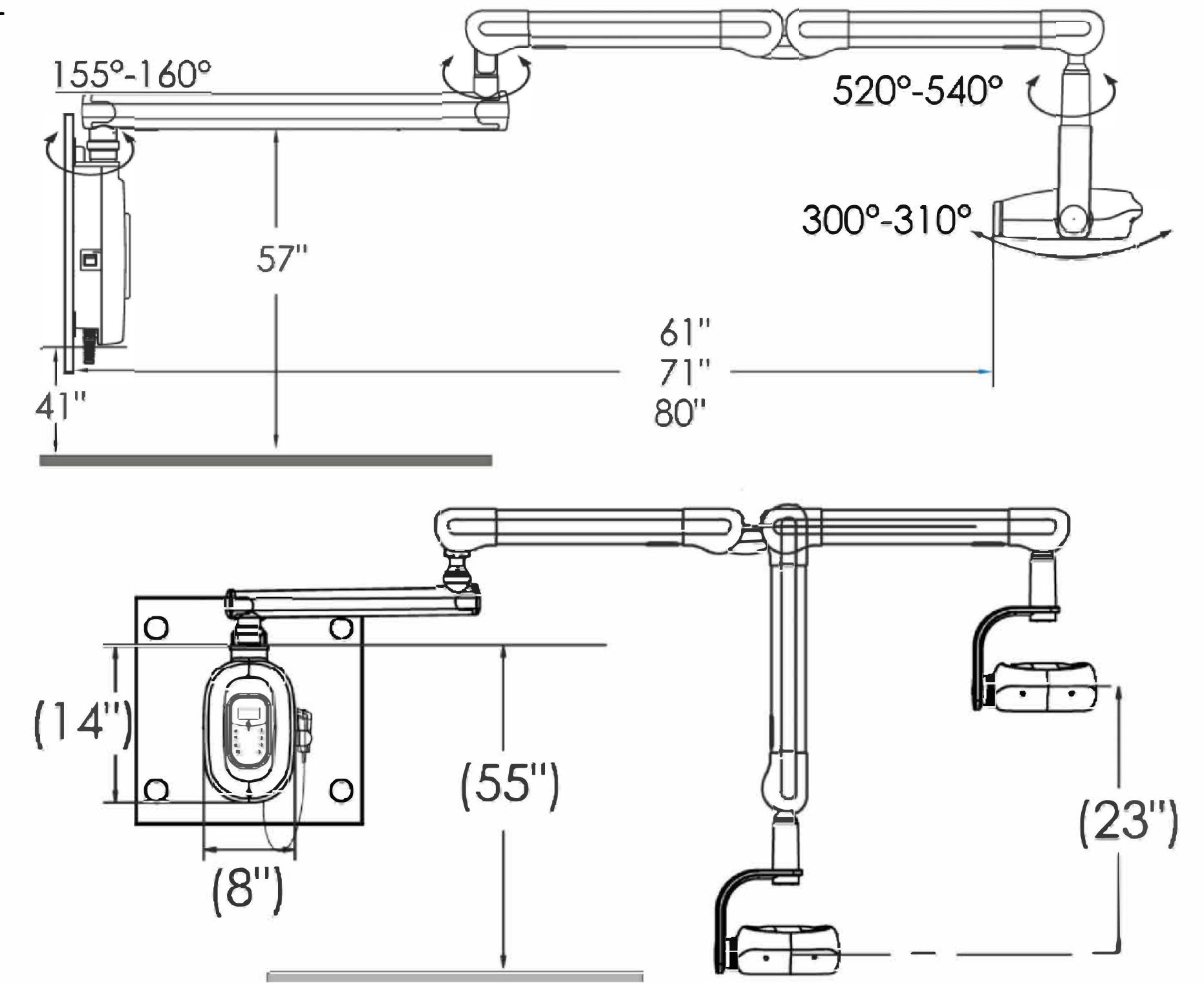


# MOUNTING INSTRUCTIONS FOR IMAGESCAN HD UNIVERSAL TYPE 2 STUD WALLPLATE



49 in to floor



## ELECTRICAL CHARACTERISTICS

DESCRIPTION	INTRASKAN DC
LINE VOLTAGE	110V +/-10%
LINE FREQUENCY	60Hz
ABSORBED CURRENT	8 A rms @ 110V
ABSORBED POWER	0.88 kVA @110V
LINE RESISTANCE	<=0.4 Ohms
MAX LINE VOLTAGE REGULATION	1% @ 99v
CONNECT TO POWER SOURCE	Hardwire directly: line, neutral, ground Cord connection: hospital grade 3 prong North American

\*Always follow State and local electrical regulations and guidelines

OPTIONAL WALL MOUNTING PLATE TO MOUNT X-RAY WALL BRACKET ORDER P/N 9992720002

SINGLE STUD MOUNT OPTION MAY ONLY BE USED IF WALL CONSTRUCTION WITH 4x4 STUD OR EQUIV. AVAILABLE

## UNIVERSAL TYPE WALL MOUNT TEMPLATE

IMAGEWORKS  
8 WESTCHESTER PLAZA SUITE 112  
ELMSFORD, NEW YORK 10523  
1-914-592-6100  
www.ImageWorksCorporation.com