



Panoura 18S Pre-Installation Readiness Checklist

Equipment Location

Space is adequate

Recommend 42" wide x 48" deep x 90" high with no ceph

Recommend 74" wide x 48" deep x 90" high with ceph

Wall backing at least half-inch thick plywood and 48" wide at bracket height of 84" from floor

115 V 20 Amp dedicated power source at the unit location

Location of operator trigger switch identified

1" conduit with pull string between unit and trigger switch location (or place to run cable)

Cable run distance between unit and trigger switch location is less than 30 ft

Acquisition PC location

Acquisition PC location identified with desired proper counterspace or shelving for tower, monitor, keyboard, mouse

LAN connection with internet at Acquisition PC location

Power source for acquisition PC and monitor

1.5" conduit with pull string between unit and acquisition PC (or place to run cable)

Cabling between unit and acquisition PC will be direct connected (i.e. not going through switch or patch panel, or utilize any patch cables)

Cable distance between unit and acquisition PC is less than 30 ft

Integration

What is practice management software?

What is imaging software?

Office is aware they will need to install their practice management software and imaging software (if not from ImageWorks) on the acquisition PC before training?

Any other concerns, unique requirements, or comments?

If any parameters are not met, please contact ImageWorks to discuss alternatives

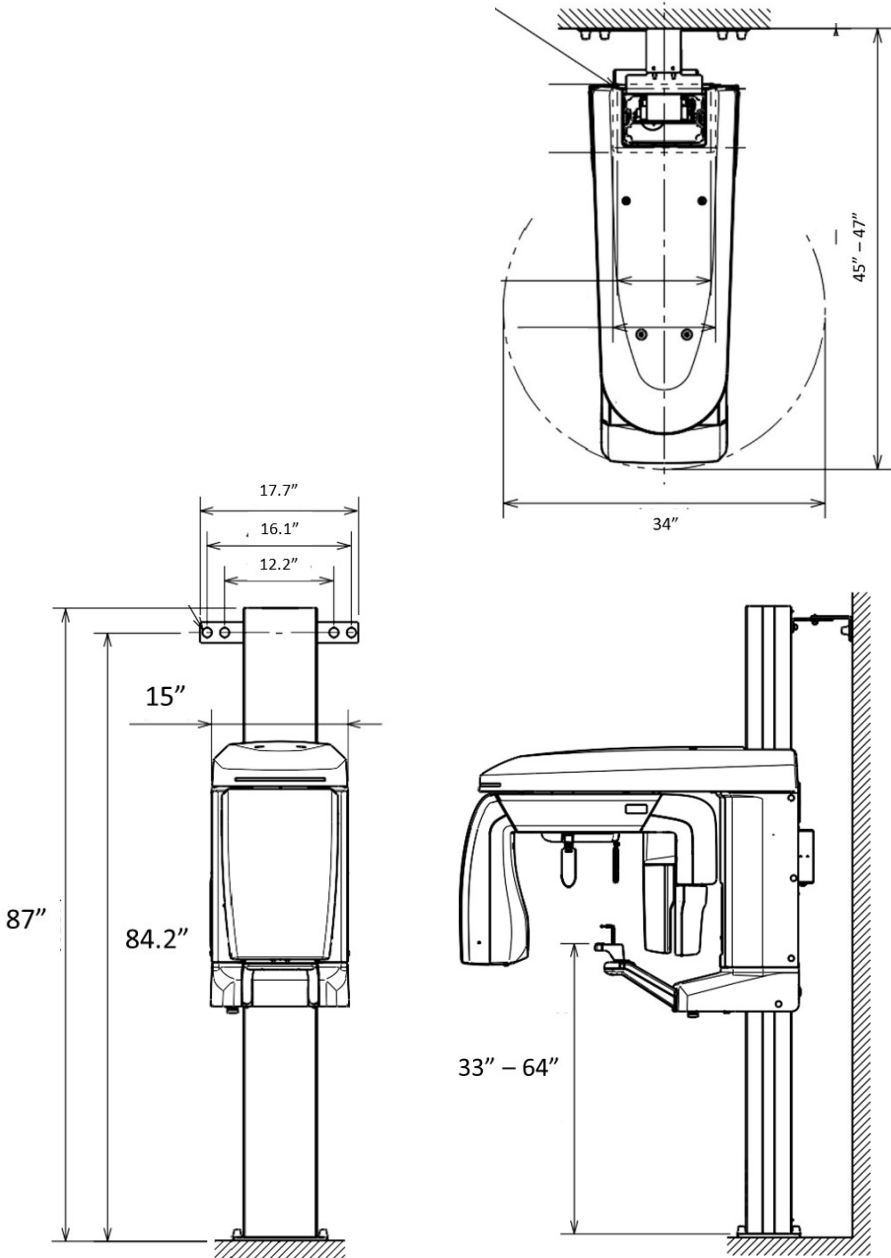
914-592-6100

custserv@imageworkscorporation.com

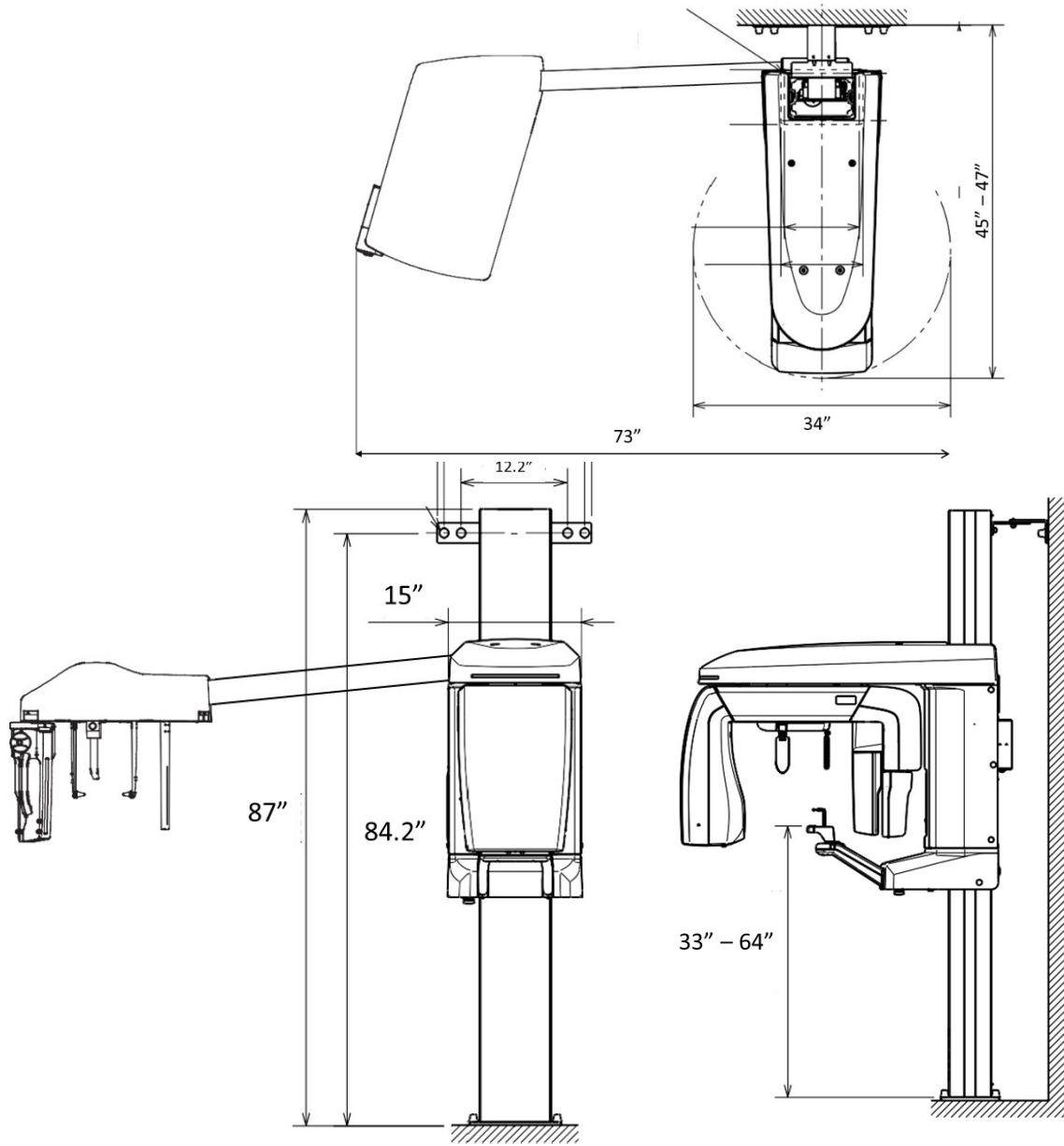
Panoura Dimensions

Unit has a control panel on left side of column (when facing unit). For panoramic or CBCT without Ceph arm, it's recommended to leave some additional space on this side to allow operator access to this panel

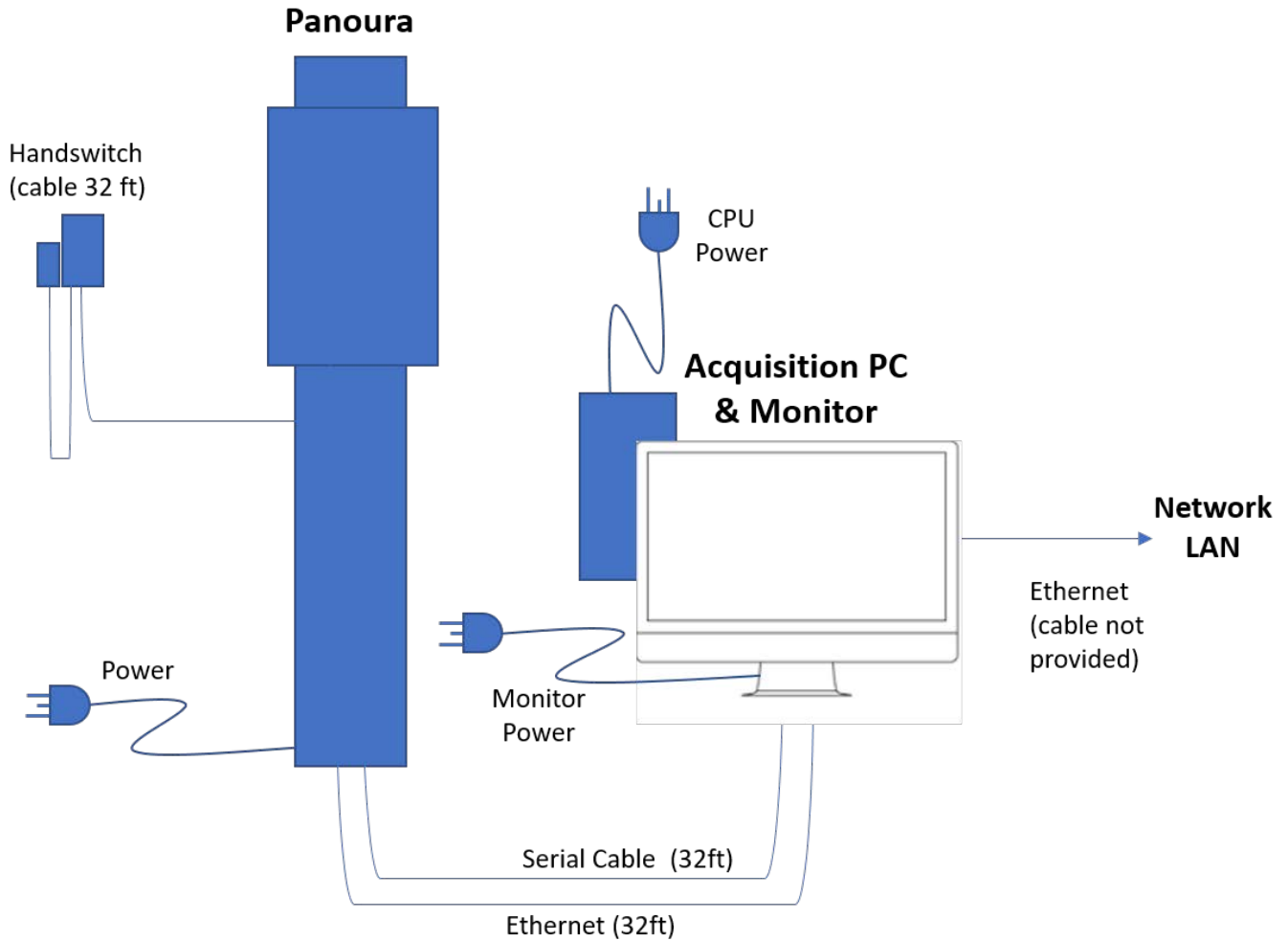
Panoramic with No Cephalometric



Panoramic with Cephalometric



Network Diagram



Thank you for choosing ImageWorks. If you have any questions or problems, please don't hesitate to give us a call.

(914) 592-6100

custserv@imageworkscorporation.com
